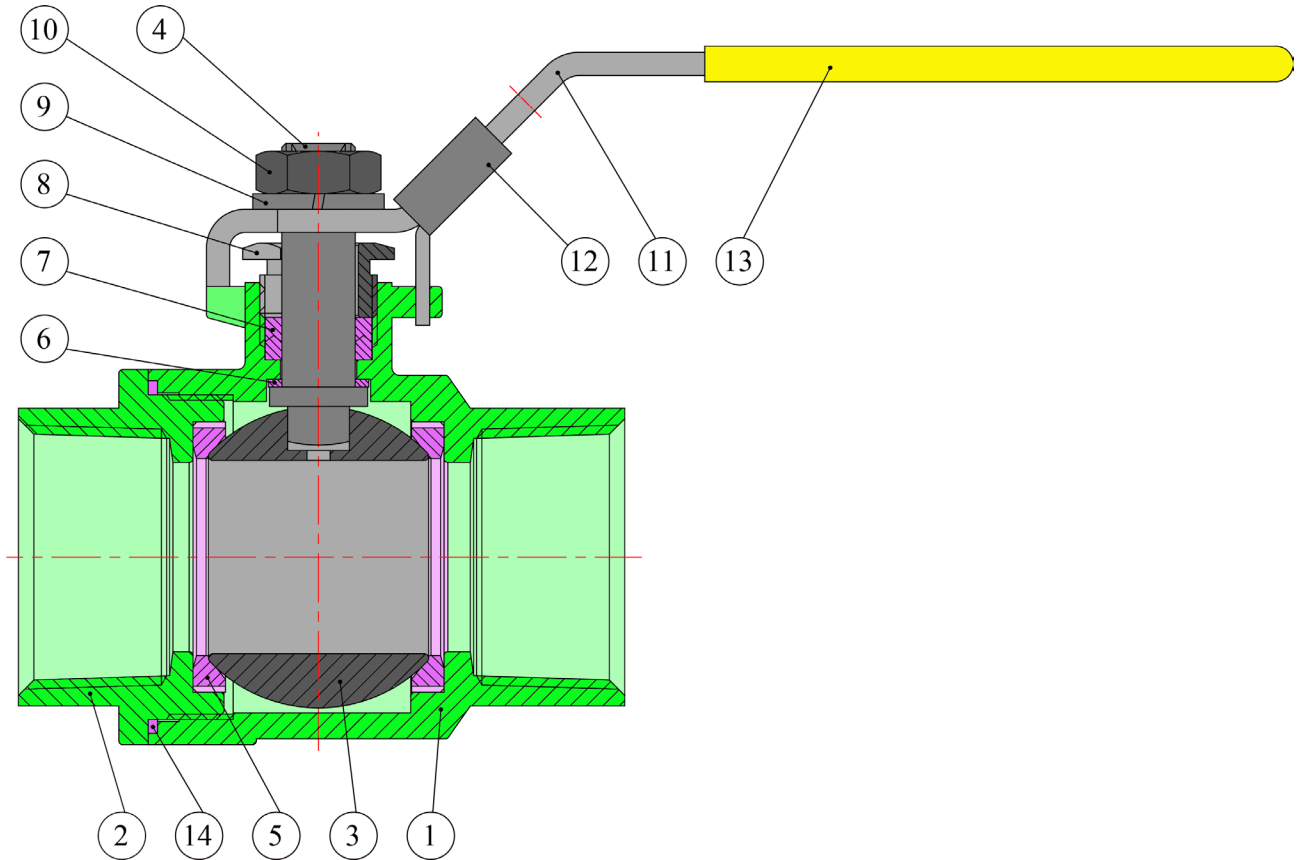


THREADED BODY BALL VALVE SELECTION GUIDE

Threaded Body Ball Valve Model	Series 8000	Series 8100	Series 8300
			
Size Range	¼"-2"	½"-2"	¼"-2"
Type	2-Way	2-Way	3-Way
Port	Full Port		
Pressure Rating	1000 WOG		
Leakage	ANSI FCI 70-2 Class VI		
Temperature Rating	-50°F to +450°F		
End Connection	NPTF per ANSI B1.20.1		
Body Material	Stainless Steel 316	Stainless Steel 316 or Carbon Steel	Stainless Steel 316
Blowout Proof Stem	✓	✓	✓
ISO 5221 Actuator Mount	✗	✓	✓
Available Locking Lever	✓	✓	✓
Adjustable Stem Packing	✓	✓	✓
Anti-Static Device	✗	✗	✓
Data Pages	Pages 3-4	Pages 5-6	Pages 7-8
Pressure/Temp	Page 9		
Operating Torque	-	Page 9	Page 9
Flow Paths	-	-	Page 10
Flow Coefficients (Cv)	Page 10		

MATERIALS OF CONSTRUCTION SERIES 8000

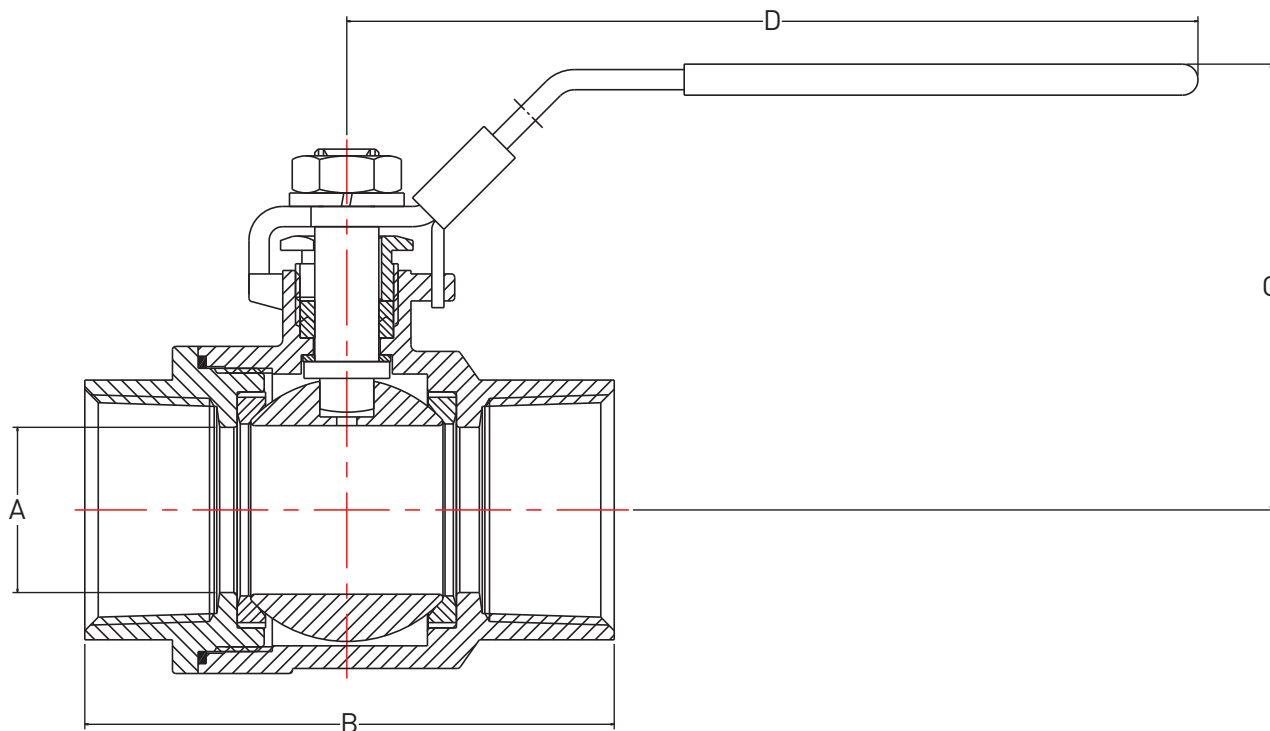


PAGE 3

Item	Description	Materials Available	Standard	QTY
1	Body	Stainless Steel 316	ASTM A351 CF8M	1
2	End Cap	Stainless Steel 316	ASTM A351 CF8M	1
3	Ball	Stainless Steel 316	ASTM A351 CF8M	1
4	Stem	Stainless Steel 316	ASTM A276 316	1
5	Seat	RPTFE	Commercial	2
6	Thrust Washer	PTFE	Commerical	1
7	Stem Packing	PTFE	Commercial	1 Set
8	Gland Nut	Stainless Steel 304	ASTM A276 304	1
9	Split Washer	Stainless Steel 304	Commercial	1
10	Nut	Stainless Steel 304	ASTM F594M 304	1
11	Handle	Stainless Steel 304	Commercial	1
12	Lock Pad	Stainless Steel 304	Commercial	1
13	Handle Cover	Vinyl	Commercial	1
14	Body Gasket	PTFE	Commercial	1
NS	Tag	Aluminum	UV Screen Printed	1



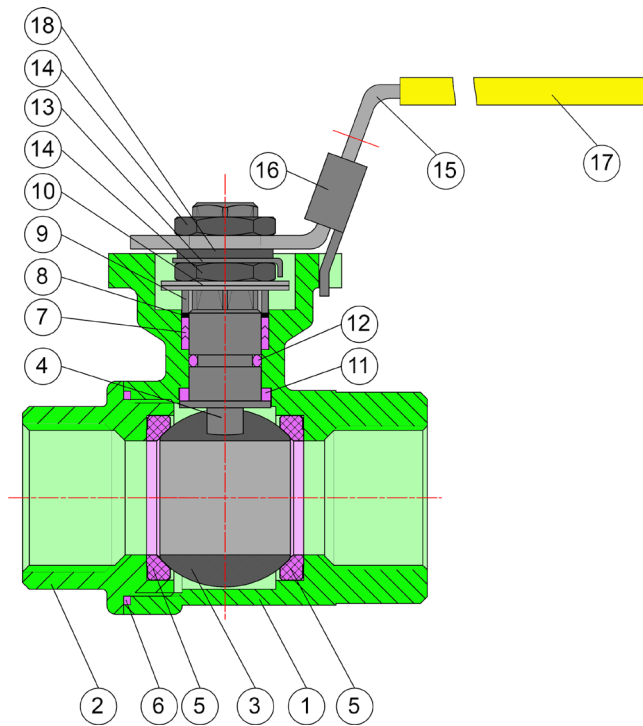
DIMENSIONS SERIES 8000



PAGE 4

SIZE	A	B	C	D	WEIGHT (LBS)	PART NUMBER
1/4"	0.39	1.93	1.71	3.23	0.25	1/4"S8000-S2H
3/8"	0.49	1.93	1.71	3.23	0.35	3/8"S8000-S2H
1/2"	0.63	2.31	1.89	3.23	0.55	1/2"S8000-S2H
3/4"	0.79	2.70	2.25	4.02	0.85	3/4"S8000-S2H
1"	0.96	3.09	2.65	5.00	1.41	1"S8000-S2H
1 1/4"	1.26	3.67	2.90	5.00	2.00	1 1/4"S8000-S2H
1 1/2"	1.50	4.06	3.33	6.38	3.00	1 1/2"S8000-S2H
2"	1.97	4.84	3.64	6.38	4.00	2"S8000-S2H

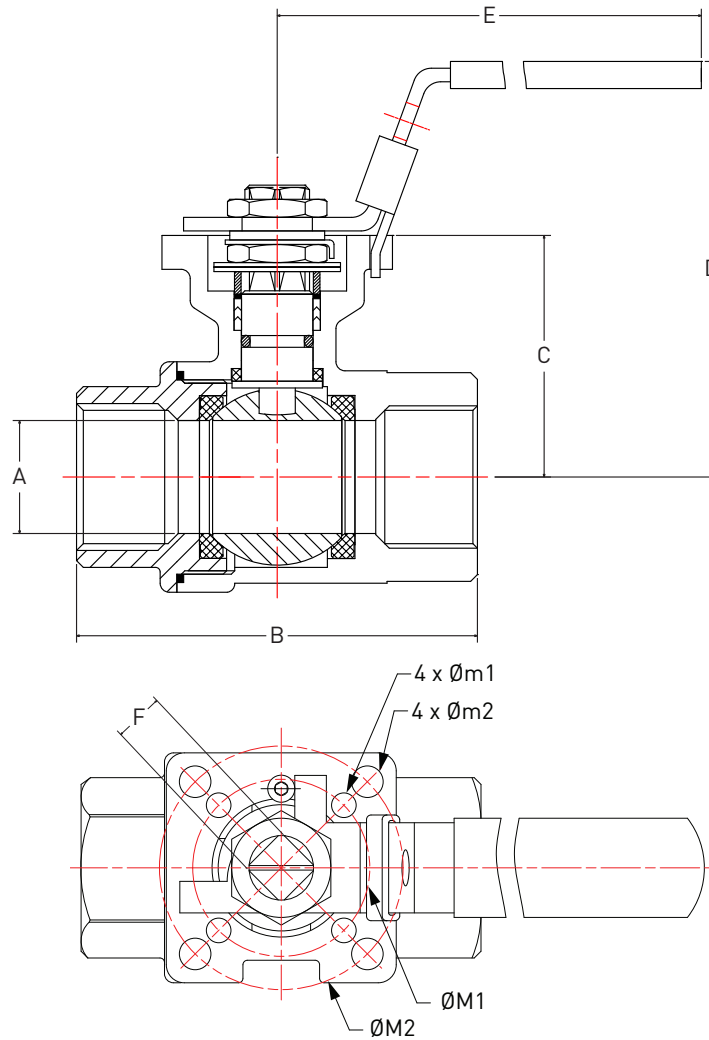
MATERIALS OF CONSTRUCTION SERIES 8100



Item	Description	Materials Available	Standard	QTY
1	Body	Stainless Steel 316	ASTM A351 CF8M	1
		Carbon Steel	ASTM A216 WCB	
2	End Cap	Same as Body		1
3	Ball	Stainless Steel 316	ASTM A351 CF8M	1
4	Stem	Stainless Steel 316	ASTM A276 316	1
5	Seat	RPTFE	Commercial	2
6	Body Gasket	PTFE	Commercial	1
7	Stem Packing	PTFE	Commercial	1 Set
8	Stem Protector	50% PTFE/50% SS316	Commercial	1
9	Packing Sleeve	Stainless Steel 304	Commercial	1
10	Belleville Washer	Stainless Steel 301	Commercial	2
11	Thrust Washer	PTFE	Commercial	1
12	O-Ring	Viton	Commercial	1
13	Lock Ring	Stainless Steel 304	Commercial	1
14	Nut	Stainless Steel 304	ASTM F594M 304	2
15	Handle	Stainless Steel 304	Commercial	1
16	Lock Pad	Stainless Steel 304	Commercial	1
17	Handle Cover	Vinyl	Commercial	1
18	Washer	Stainless Steel 304	ASTM A276 304	1
18	Stop Screw	Stainless Steel 304	ASTM A276 304	1
NS	Tag	Aluminum	UV Screen Printed	1



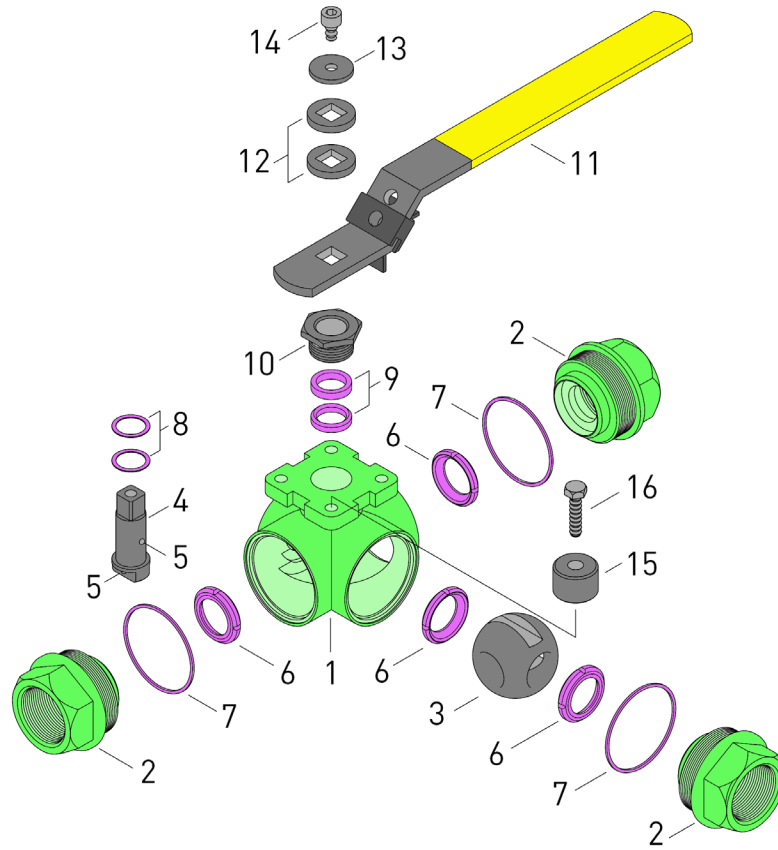
DIMENSIONS SERIES 8100



PAGE 6

SIZE	A	B	C	D	E	F	M1	m1	M2	m2	WEIGHT (LBS)	PART NUMBER
½"	0.59	2.56	1.61	2.52	6.50	0.354	1.42	0.22	1.97	0.26	0.65	½"S8100-S2H
¾"	0.79	2.99	1.75	2.80	6.50	0.354	1.42	0.22	1.97	0.26	1.45	¾"S8100-S2H
1"	0.98	3.46	2.23	3.11	7.87	0.453	1.97	0.26	2.76	0.35	2.36	1"S8100-S2H
1¼"	1.26	3.82	2.16	3.66	7.87	0.453	1.97	0.26	2.76	0.35	3.50	1¼"S8100-S2H
1½"	1.50	4.33	3.00	3.94	9.84	0.551	1.97	0.26	2.76	0.35	4.85	1½"S8100-S2H
2"	2.00	5.28	3.30	4.25	9.84	0.551	1.97	0.26	2.76	0.35	7.30	2"S8100-S2H

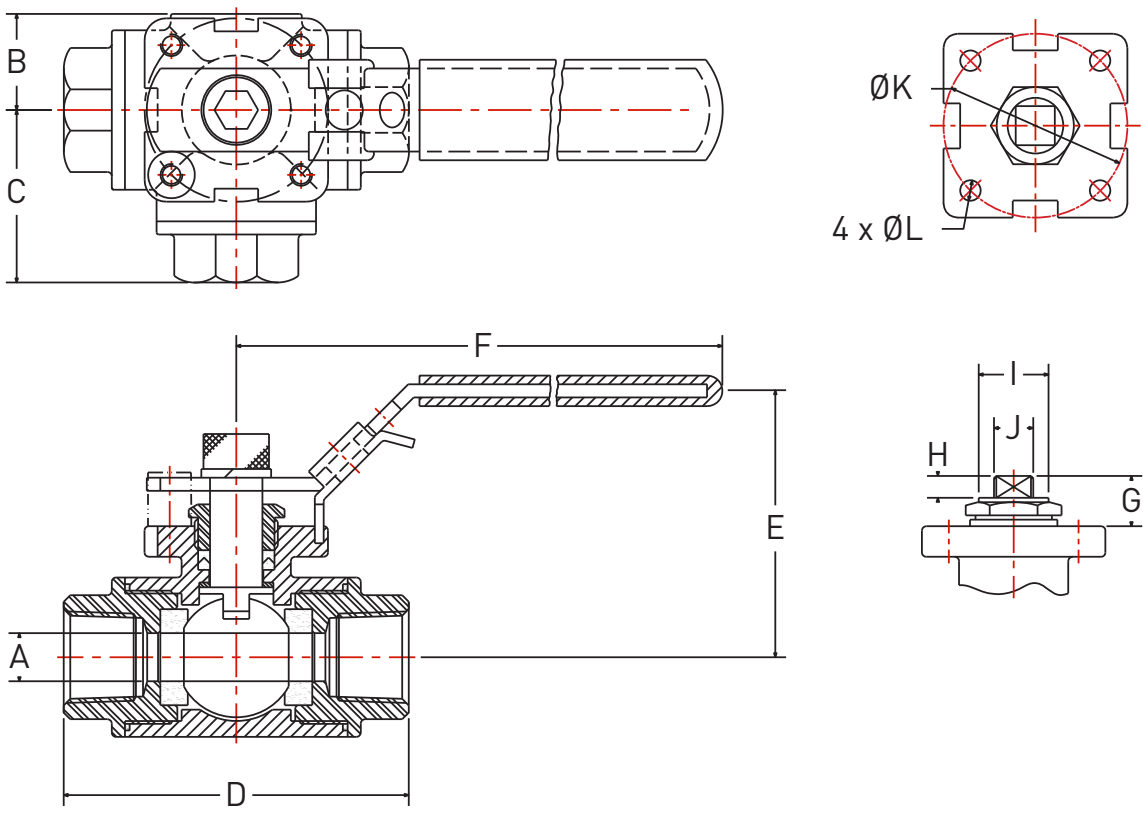
MATERIALS OF CONSTRUCTION SERIES 8300



Item	Description	Materials Available	Standard	QTY
1	Body	Stainless Steel 316	ASTM A351 CF8M	1
2	End Cap	Stainless Steel 316	ASTM A351 CF8M	3
3	Ball	Stainless Steel 316	ASTM A351 CF8M	1
4	Stem	Stainless Steel 316	ASTM A276 316	1
5	Anti-Static Device	Stainless Steel 316	Commercial	2
6	Seat	RPTFE	Commercial	4
7	Body Gasket	PTFE	Commercial	3
8	Thrust Washer	PTFE	Commercial	2
9	Stem Packing	PTFE	Commercial	1 Set
10	Packing Gland	Stainless Steel 304	ASTM A276 304	1
11	Handle	Stainless Steel 304	Commercial	1
12	Quadrant Washer	Stainless Steel 304	Commercial	1 Set
13	Washer	Stainless Steel 304	Commercial	1
14	Lever Screw	Stainless Steel 304	ASTM F837M 304	1
15	Lever Stop	Stainless Steel 304	ASTM A276 304	1
16	Lever Stop Bolt	Stainless Steel 304	ASTM A593M 304	1
NS	Tag	Aluminum	UV Screen Printed	1



DIMENSIONS SERIES 8300

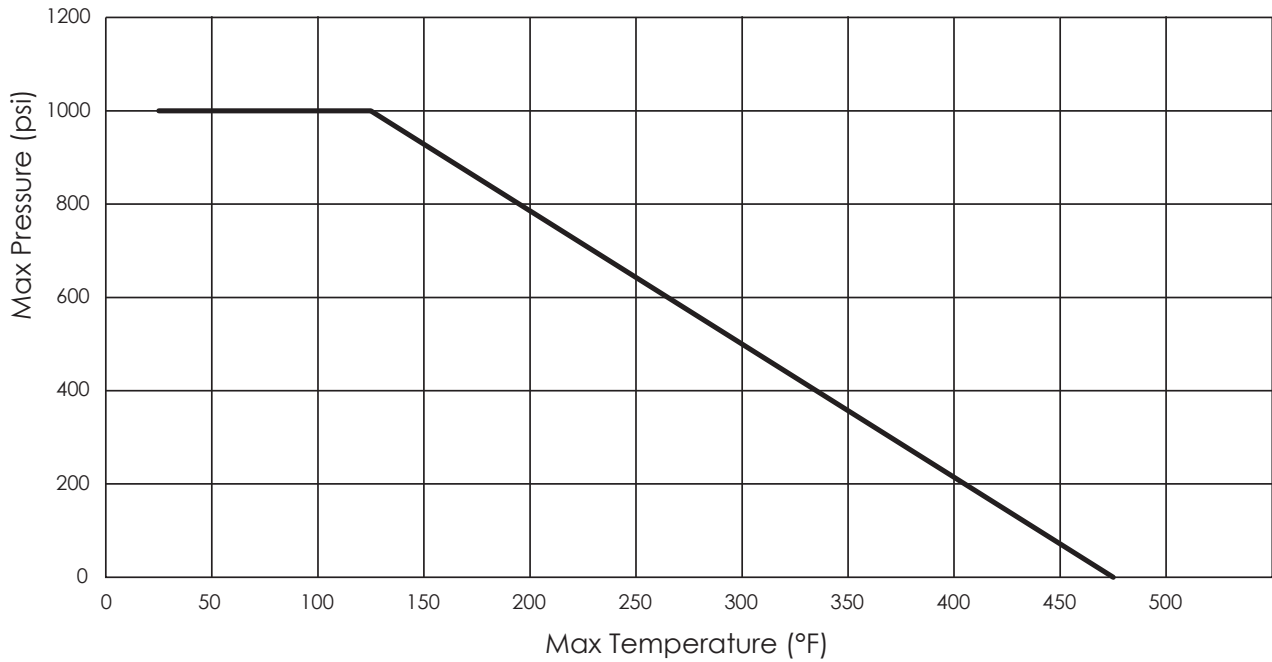


PAGE 8

SIZE	A	B	C	D	E	F	G	H	I	J	K	L	WEIGHT (LBS)
1/4"	0.35	0.87	1.56	3.11	2.54	6.50	0.43	0.20	0.47	0.354	1.65	F04	1.63
3/8"	0.35	0.87	1.56	3.11	2.54	6.50	0.43	0.20	0.47	0.354	1.65	F04	1.83
1/2"	0.43	0.87	1.56	3.11	2.54	6.50	0.43	0.20	0.47	0.354	1.65	F04	2.0
3/4"	0.59	1.10	1.73	3.35	3.05	7.87	0.51	0.28	0.59	0.433	1.97	F05	3.0
1"	0.79	1.22	2.13	4.25	3.19	7.87	0.75	0.45	0.59	0.433	1.97	F05	4.0
1 1/4"	0.98	1.34	2.44	4.88	3.46	9.06	0.93	0.61	0.59	0.433	1.97	F05	6.0
1 1/2"	1.26	1.57	2.66	5.31	3.66	9.84	0.93	0.61	0.59	0.433	2.76	F07	9.0
2"	1.57	1.89	3.23	6.46	4.13	10.24	0.96	0.63	0.73	0.551	2.76	F07	15.0



PRESSURE/TEMPERATURE RATINGS



OPERATING TORQUES

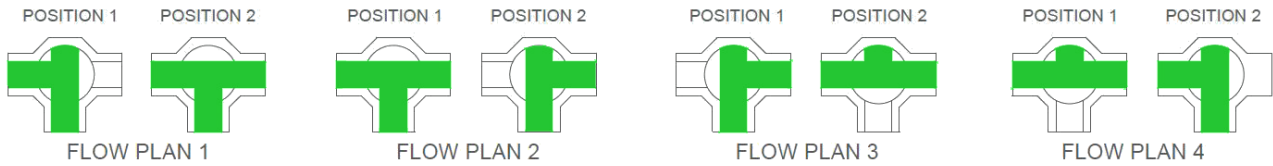
SIZE	S8100		S8300	
	500PSI	1000PSI	500PSI	1000PSI
1/4"	-	-	35	46
3/8"	-	-	35	46
1/2"	23	36	40	55
3/4"	60	72	60	66
1"	100	125	108	143
1 1/4"	146	189	158	201
1 1/2"	191	253	195	217
2"	324	380	362	451

Operating torque in in-lbs, no safety factor included. Torques are with water as operating fluid, dry media may require a higher safety factor

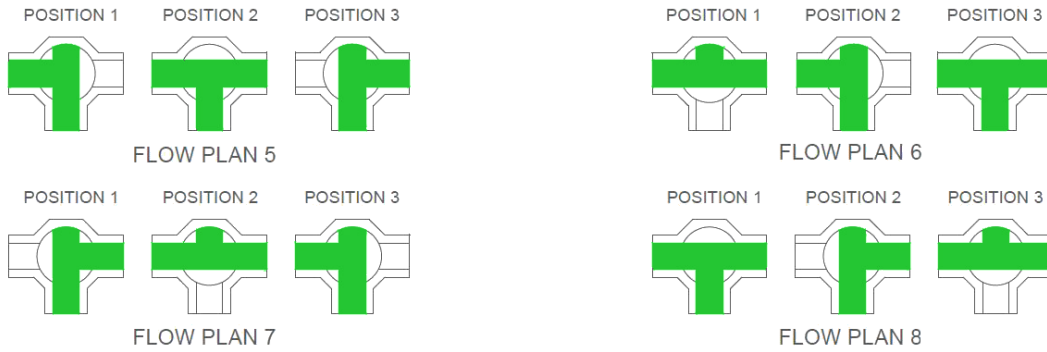


8300 FLOW PATHS

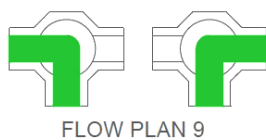
T-PORT 90° TURN



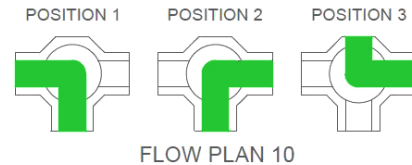
T-PORT 180° TURN



L - PORT 90° TURN



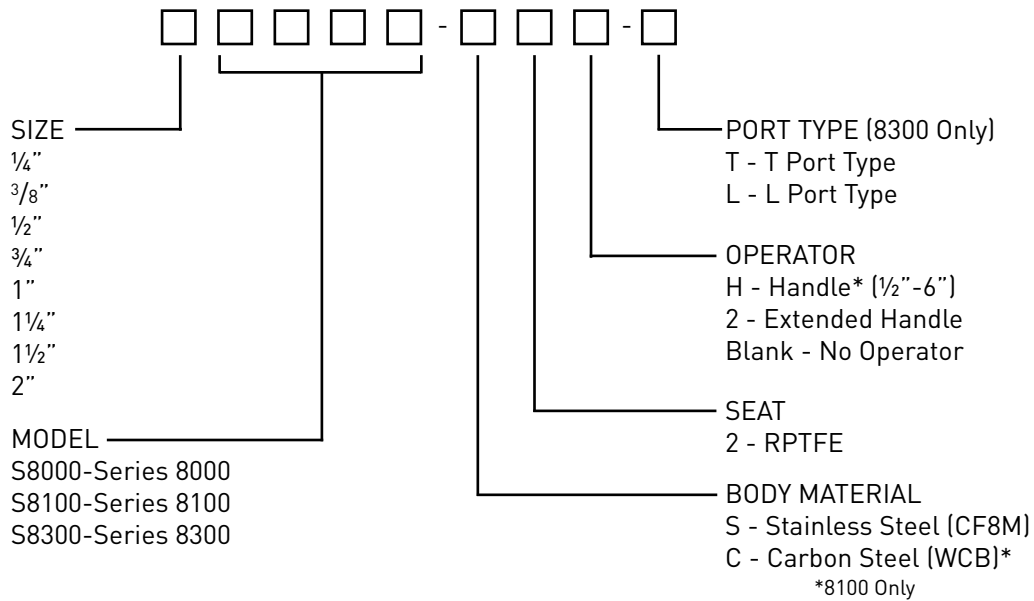
L - PORT 180° TURN



FLOW COEFFICIENTS

SIZE	S8000	S8100	S8300	
			T-Port	L-Port
1/4"	6	-	5	3
3/8"	6	-	6	3
1/2"	24	38	8	4
3/4"	35	71	13	7
1"	47	110	16	11
1 1/4"	81	230	33	20
1 1/2"	105	350	46	34
2"	241	600	85	51

PART NUMBER MATRIX



EXAMPLE:

1" S8100-S2H

A 1" Series 8100, SS316 body, RPTFE seat, with Handle operator

OTHER PART NUMBER INFORMATION

ASSEMBLIES

The part numbers above represent only the part number for the valve without any actuator or accessories. When purchased with an actuator as part of an assembly the entire part number will be formatted as the valve part number, forward slash, then the actuator and accessory part numbers.

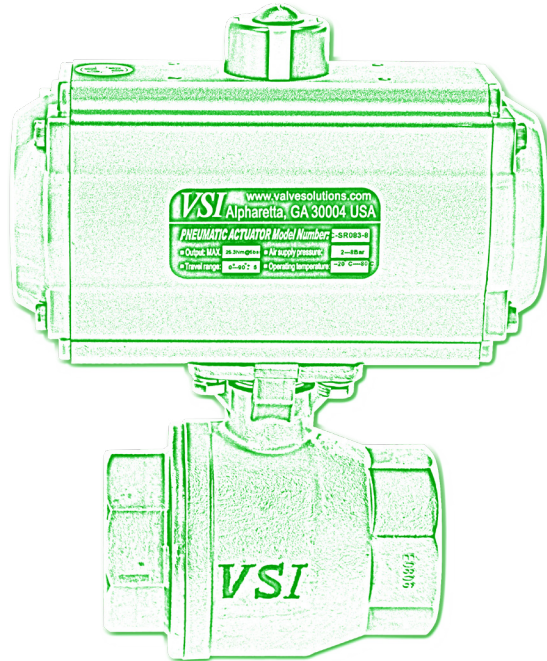
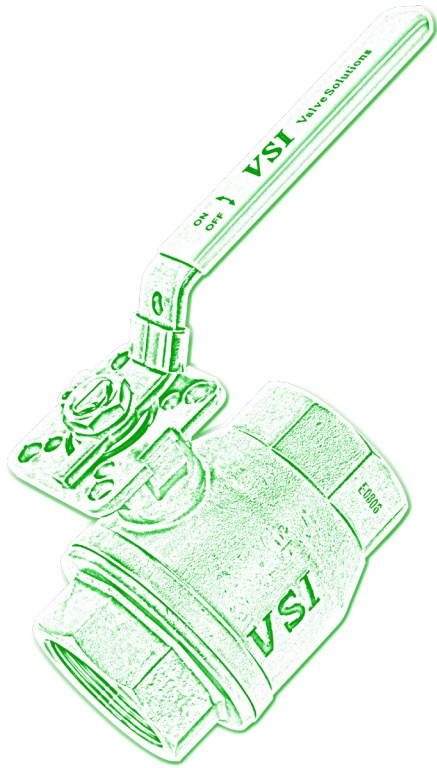
Example: 1"8100-S2H/C-SR083/ALS-100

The above valve is a 1" valve model S8100 with a C-SR083 spring return pneumatic actuator and ALS-100 switch-box.

Note: Series 8000 are not available with actuators or accessories - only available with lever operator. Consider Series 8100 where actuators are required

MANUAL OPERATORS

All sizes are available with a locking lever operator, add a "H" suffix.



Valve Solutions, Inc
tel: 1 (770) 740 0800
fax: 1 (770) 740 8777
email: sales@valvesolutions.com

VSI

www.ValveSolutions.com

As part of a process of on-going product development, VSI reserves the right to amend or change specifications without prior notice. Published data may be subject to change. For the latest version, visit our website at www.valvesolutions.com